



CURVIA 2 - 3 - 4 SEAL PENDANT





INSTALLATION INSTRUCTIONS


 This product must be installed in accordance with the National Electrical Code and all applicable local codes, by a person familiar with the construction and operation of the product, and the hazards involved. Proper grounding is required for safety.

Ce produit doit être installé suivant le code national de l'électricité, ainsi que tous les codes locaux applicables, par une personne familière avec la construction et le fonctionnement du produit, ainsi que tous les risques qui y sont associés. La mise à terre électrique est obligatoire pour la sécurité.


 Disconnect power before installation or servicing.

 Wire dimming conductors as Class 1.

 A luminaire with more than one power supply connection means shall be connected to only one branch circuit.

 For electrical connections, please refer to the [wiring diagram guide](#).



 For wet location installations, properly seal all mounting and electrical points.

SINGLE FIXTURE

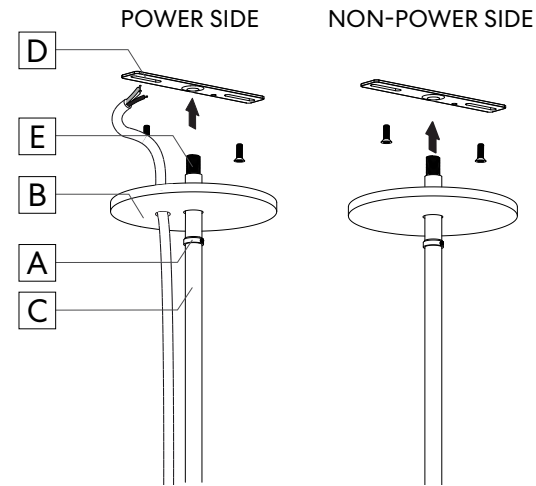
1 INSTALL ALL CANOPIES.

Caution: Make sure the electrical power is turned off.

Refer to dimensions supplied in client drawings and locate mounting points on the ceiling.

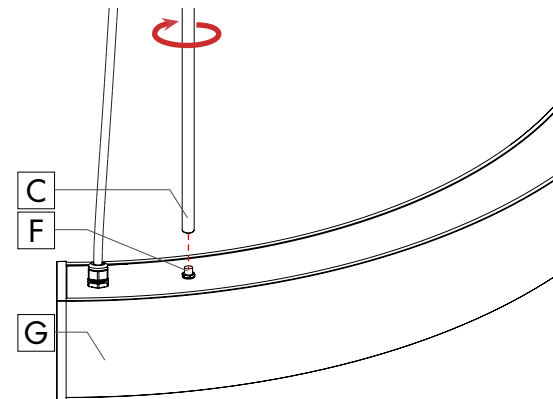
Slide the slip ring [A] and the canopy [B] onto the stem [C] and leave some space.

Screw the junction box crossbar [D] onto the stem's nipple [E].



2 INSTALL THE STEMS ON THE FIXTURE.

Screw the stems [C] onto the nipple [F] at the ends of the fixture [G].



CURVIA 2 - 3 - 4 SEAL PENDANT

SINGLE FIXTURE

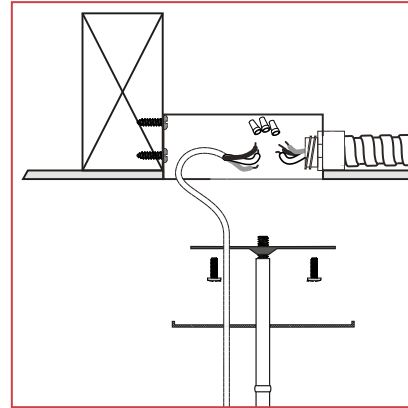
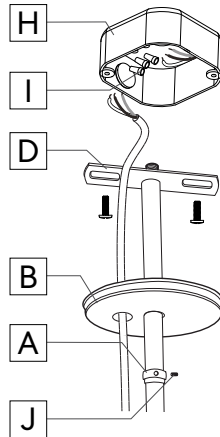
3 INSTALL THE FIXTURE TO THE CEILING.

POWER SIDE

Raise the fixture and tighten the junction box crossbar [D] with screws to the junction box [H]. Make electrical connection with wire nuts [I].

Slide the canopy [B] up and tighten the slip ring [A] with the set screw [J].

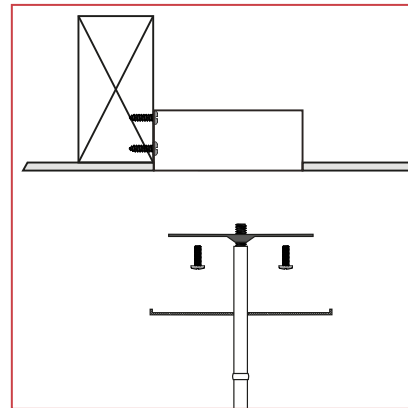
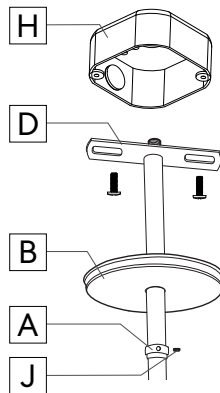
Warning: A luminaire with more than one power supply connection means shall be connected to only one branch circuit.



NON-POWER SIDE

Raise the fixture and tighten the junction box crossbar [D] with screws to the junction box [H].

Slide the canopy [B] up and tighten the slip ring [A] with the set screw [J].



CURVIA 2 - 3 - 4 SEAL PENDANT

CONTINUOUS RUN

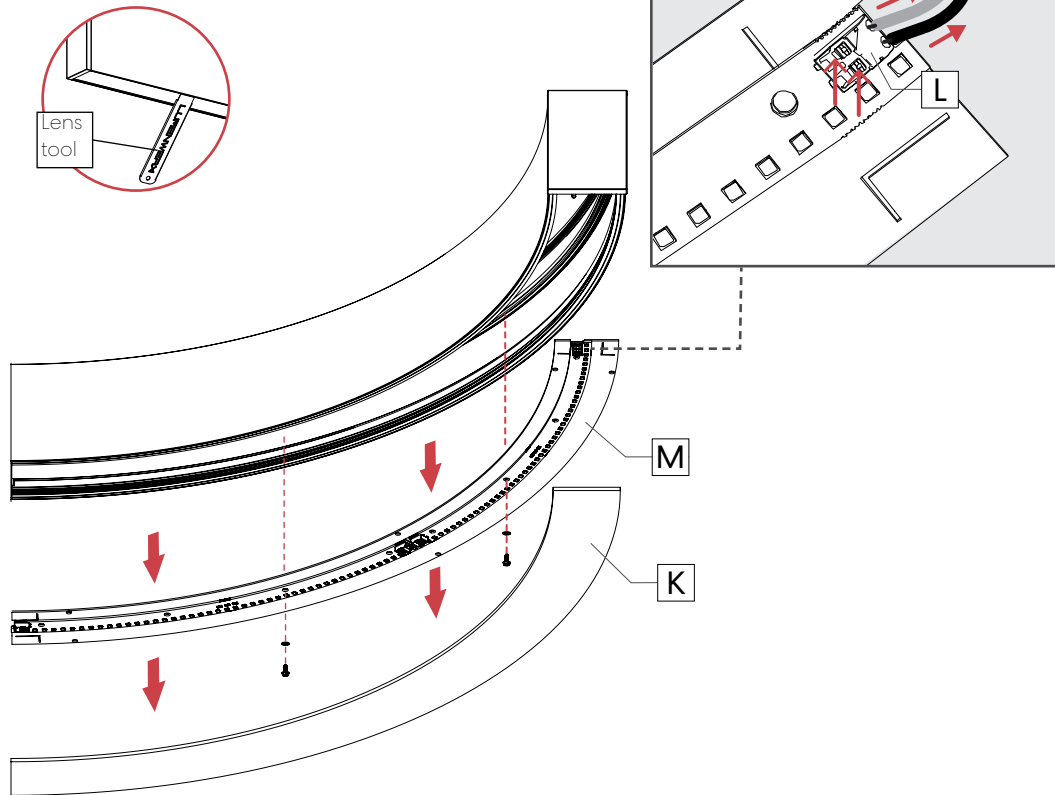
1 FOR CONTINUOUS RUN, REPEAT STEP 1 FROM THE SINGLE FIXTURE SECTION FOR ALL CANOPIES, THEN:

2 REMOVE DIRECT LENSES AND REFLECTORS.

Remove lenses **[K]** with the provided lens tool.

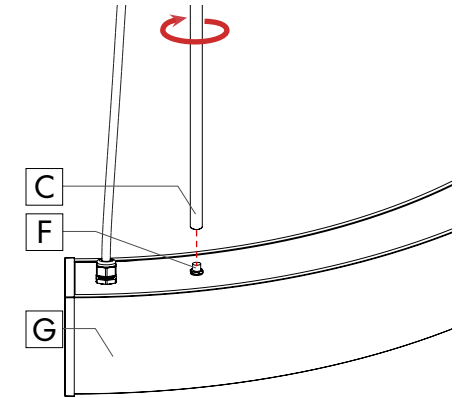
Disconnect LED molex connector **[L]** by taking a pointed object and pressing on the two tabs on top.

Remove the reflectors **[M]** from the joining ends of the fixtures in the run.



3 INSTALL THE STEMS ON THE FIXTURE.

Screw the stems **[C]** onto the nipples **[F]** at the ends of the two fixtures **[G]**.

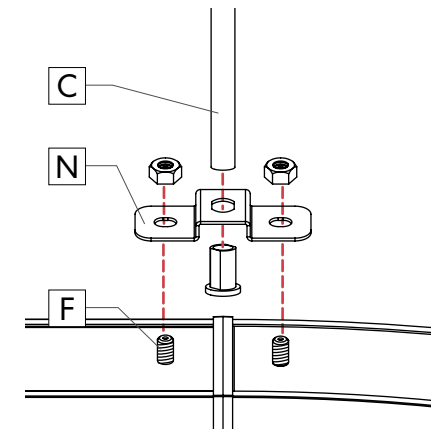


For IP65 the stem is installed at the end of two joining fixtures.

Install the mounting bracket **[N]** to the stem **[C]**.

Then, install mounting bracket **[N]** and stem **[C]** to the joined fixtures.

With provided nuts, secure the stem **[C]** on the nipples **[F]** at the end of each joining fixtures.



CURVIA 2 - 3 - 4 SEAL PENDANT

CONTINUOUS RUN

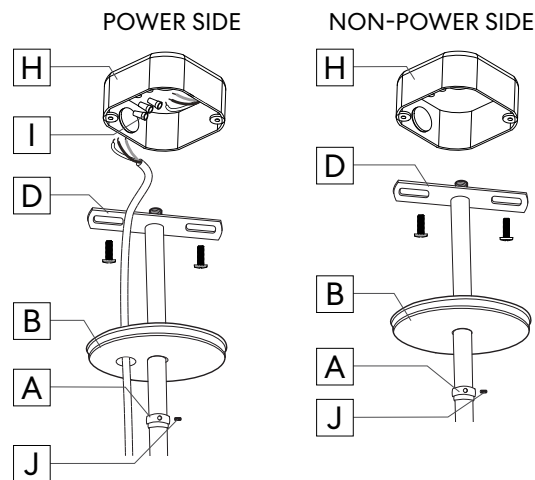
4 INSTALL THE FIXTURE TO THE CEILING.

Raise the first fixture and tighten the junction box crossbar [D] with screws to the junction box [H].

Make electrical connection with wire nuts [I] (only for power side).

Slide the canopy [B] up and tighten the slip ring [A] with the set screw [J].

Warning: A luminaire with more than one power supply connection means shall be connected to only one branch circuit.



CURVIA 2 - 3 - 4 SEAL PENDANT

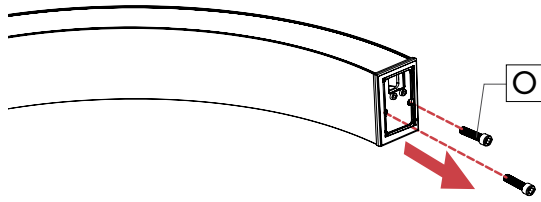


CONTINUOUS RUN

5 JOIN FIXTURES.

IP65

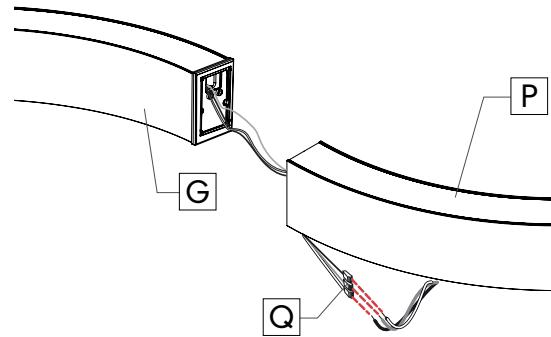
From all fixtures in the run, unscrew and remove screws [O]. Keep them in a safe place.



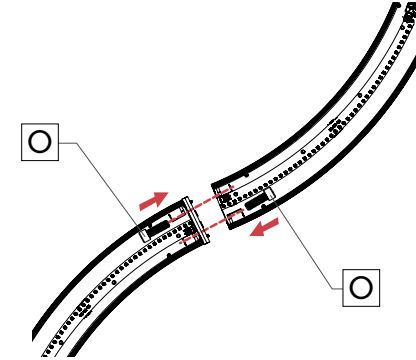
Push wires of the first fixture [G] inside the second fixture of the pattern [P].

Make the wire connections between the first fixture [G] and the second fixture [P] using the quick connectors [Q].

Note: Number of wires may vary.



Join fixtures. Put the provided screws [O] back in place using the provided 3/16" ball-end screwdriver. Make sure that no wires are placed in between the extrusions, preventing the fixtures to be joined. Tighten the screws [O] to pull the segments together.



CURVIA 2 - 3 - 4 SEAL PENDANT



CONTINUOUS RUN

5 JOIN FIXTURES.

IP54

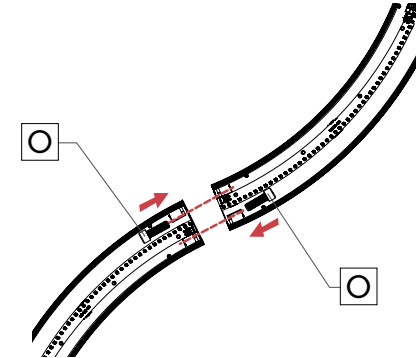
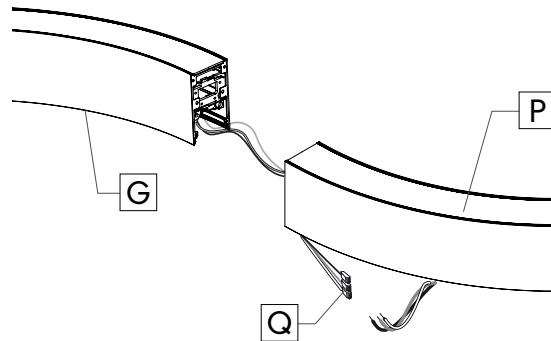
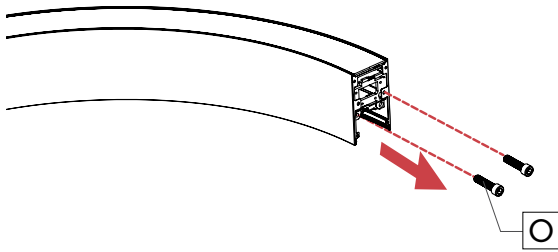
From all fixtures in the run, unscrew and remove screws [O]. Keep them in a safe place.

Push wires of the first fixture [G] inside the second fixture of the pattern [P].

Make the wire connections between the first fixture [G] and the second fixture [P] using the quick connectors [Q].

Note: Number of wires may vary.

Join fixtures. Put the provided screws [O] back in place using the provided 3/16" ball-end screwdriver. Make sure that no wires are placed in between the extrusions, preventing the fixtures to be joined. Tighten the screws [O] to pull the segments together.



CURVIA 2 - 3 - 4 SEAL PENDANT



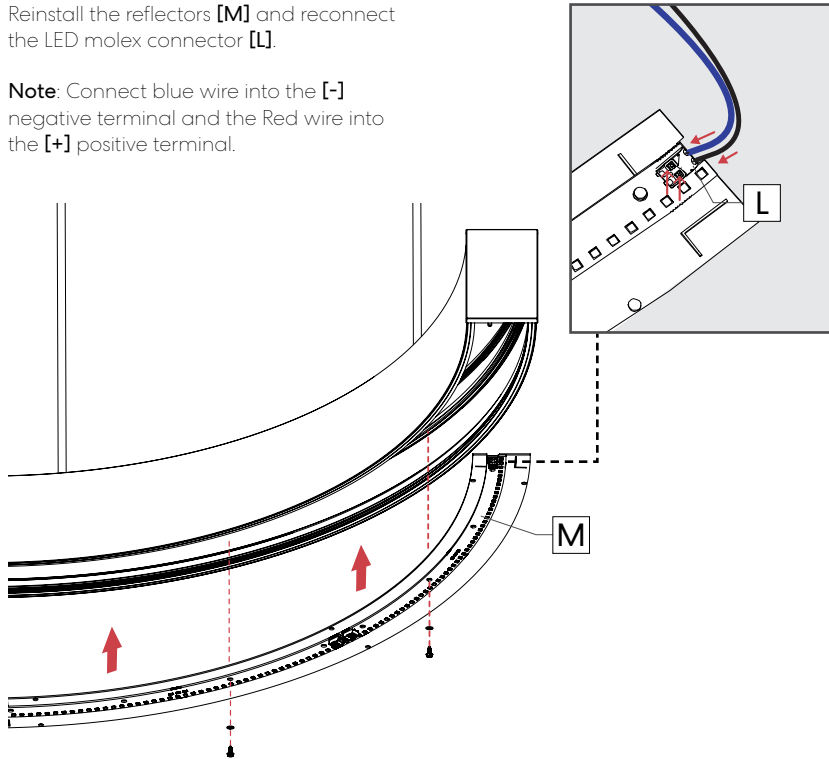
CONTINUOUS RUN

7 REPEAT STEPS 2 TO 5 FOR THE REST OF THE FIXTURES IN THE RUN.

8 REINSTALL REFLECTORS AND LENSES.

Reinstall the reflectors [M] and reconnect the LED moxex connector [L].

Note: Connect blue wire into the [-] negative terminal and the Red wire into the [+] positive terminal.



To Install the lens(es) [A] back in place, bend it slightly. When installing the lens(es) [A] it should compress the end cap's gasket to seal the fixture.

Install one side at a time.

Reinstall all the reflectors [M] and all the lenses [K] on the run.

